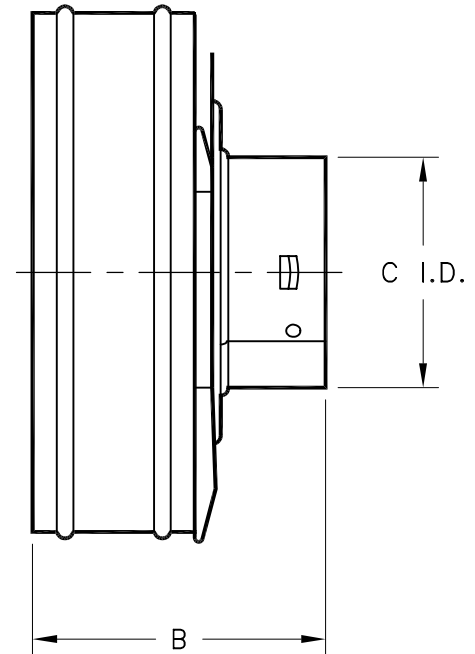
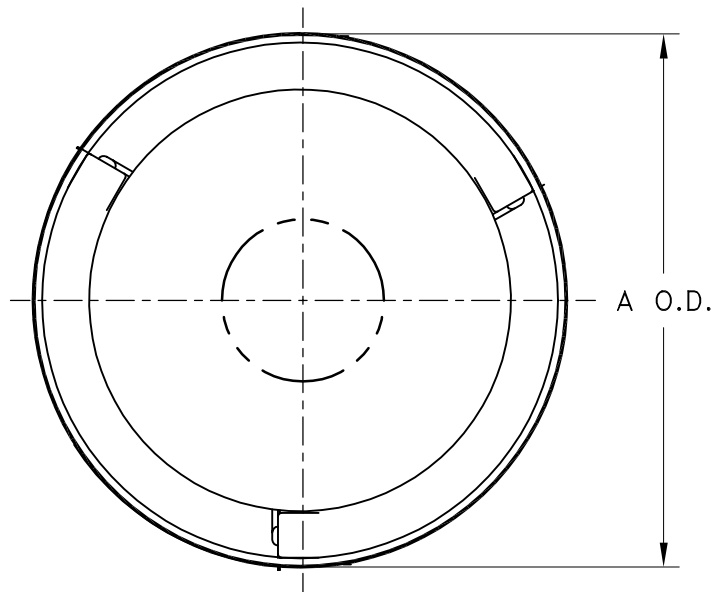


- MATERIAL: ALUMINUM CONSTRUCTION
- BRACKETS – 3 INCLUDED FOR SIZES 3 & 4
4 INCLUDED FOR SIZES 5 & 6



SIZE	A O.D.	B	C I.D.
3	8-1/4	4-1/2	3-1/2
4	9-1/4	4-7/8	4-1/2
5	10-1/2	5-1/4	5-1/2
6	11-1/4	5-5/8	6-1/2



JOB NAME: _____	SUBMITTED BY: _____	DATE: 1/28/99	SD-3130
LOCATION: _____	TYPE B GAS VENT High Wind Cap RHW 3"-6"		
ARCHITECT: _____			
ENGINEER: _____			
CONTRACTOR: _____			